

# 3.25 Draadsok

## Productinformatie

### Eigenschappen

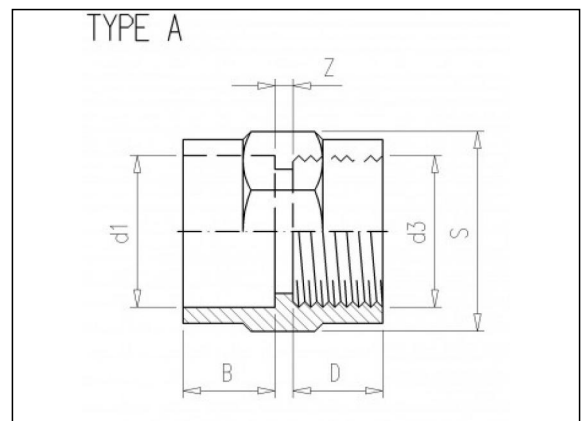
- Binnengasdraad
- RVS Versterkingsring

### Materiaal

- PVC-U = Polyvinylchloride zonder weekmaker

### Vervaardiging

- Spuitgiet



## Beschikbare artikelen

| ART.CODE | d1 | d3          | Z | B  | D  | S  | Type | PN | Verp |
|----------|----|-------------|---|----|----|----|------|----|------|
| 3.25.010 | 12 | 1/4"<br>(F) | 2 | 12 | 12 | 24 | A    | 16 | 100  |
| 3.25.013 | 16 | 1/4"<br>(F) | 3 | 14 | 12 | 27 | A    | 16 | 100  |
| 3.25.015 | 16 | 3/8"<br>(F) | 3 | 14 | 12 | 27 | A    | 10 | 100  |
| 3.25.016 | 16 | 3/8"<br>(F) | 3 | 14 | 12 | 27 | B    | 16 | 50   |
| 3.25.017 | 20 | 1/4"<br>(F) | 5 | 16 | 12 | 32 | A    | 16 | 50   |

### Van de Lande BV

Lissenveld 1 \ 4941 VK Raamsdonksveer \ The Netherlands \ t +31 (0)162 51 60 00 \ f +31 (0)162 52 14 17 \ sales@vandelande.com  
 Traderegister Tilburg: 18070844 \ IBAN: NL13 RABO 0143 0035 26 \ BIC: RABONL2U \ VAT: NL 8123.91.755.B01

| ART.CODE | d1 | d3               | Z  | B  | D  | S  | Type | PN | Verp |
|----------|----|------------------|----|----|----|----|------|----|------|
| 3.25.018 | 20 | 3/8"<br>(F)      | 5  | 16 | 12 | 32 | A    | 16 | 100  |
| 3.25.020 | 20 | 1/2"<br>(F)      | 2  | 16 | 15 | 32 | A    | 10 | 100  |
| 3.25.021 | 20 | 1/2"<br>(F)      | 2  | 16 | 15 | 32 | B    | 16 | 50   |
| 3.25.026 | 25 | 1/2"<br>(F)      | 5  | 19 | 15 | 36 | A    | 16 | 100  |
| 3.25.028 | 25 | 3/8"<br>(F)      | 8  | 19 | 12 | 36 | A    | 16 | 50   |
| 3.25.030 | 25 | 3/4"<br>(F)      | 4  | 19 | 16 | 36 | A    | 10 | 100  |
| 3.25.031 | 25 | 3/4"<br>(F)      | 4  | 19 | 16 | 36 | B    | 16 | 50   |
| 3.25.036 | 32 | 1/2"<br>(F)      | 10 | 22 | 15 | 46 | A    | 16 | 100  |
| 3.25.041 | 32 | 3/4"<br>(F)      | 9  | 22 | 16 | 46 | A    | 16 | 100  |
| 3.25.045 | 32 | 1" (F)           | 3  | 22 | 22 | 46 | A    | 10 | 100  |
| 3.25.046 | 32 | 1" (F)           | 3  | 22 | 22 | 46 | B    | 16 | 50   |
| 3.25.048 | 40 | 3/4"<br>(F)      | 6  | 26 | 16 | 55 | A    | 10 | 150  |
| 3.25.049 | 40 | 3/4"<br>(F)      | 6  | 26 | 16 | 55 | B    | 16 | 50   |
| 3.25.051 | 40 | 1" (F)           | 4  | 26 | 22 | 55 | A    | 16 | 100  |
| 3.25.055 | 40 | 1<br>1/4"<br>(F) | 3  | 26 | 23 | 55 | A    | 10 | 100  |
| 3.25.056 | 40 | 1<br>1/4"<br>(F) | 3  | 26 | 23 | 55 | B    | 16 | 50   |
| 3.25.058 | 50 | 1" (F)           | 2  | 31 | 22 | 66 | A    | 10 | 100  |
| 3.25.059 | 50 | 1" (F)           | 2  | 31 | 22 | 66 | B    | 16 | 75   |
| 3.25.061 | 50 | 1<br>1/4"<br>(F) | 4  | 31 | 23 | 66 | A    | 16 | 100  |
| 3.25.065 | 50 | 1<br>1/2"<br>(F) | 2  | 31 | 25 | 66 | A    | 10 | 100  |

**Van de Lande BV**

Lissenveld 1 \ 4941 VK Raamsdonksveer \ The Netherlands \ t +31 (0)162 51 60 00 \ f +31 (0)162 52 14 17 \ sales@vandelande.com  
 Traderegister Tilburg: 18070844 \ IBAN: NL13 RABO 0143 0035 26 \ BIC: RABONL2U \ VAT: NL 8123.91.755.B01

[www.vandelande.com](http://www.vandelande.com)

All our transactions are subject to the Van de Lande General Terms of Sale. A copy of these can be provided immediately upon your request.

| ART.CODE   | d1  | d3               | Z | B  | D  | S   | Type | PN | Verp |
|------------|-----|------------------|---|----|----|-----|------|----|------|
| 3.25.066   | 50  | 1<br>1/2"<br>(F) | 2 | 31 | 25 | 66  | B    | 16 | 50   |
| 3.25.067   | 63  | 1<br>1/4"<br>(F) | 3 | 38 | 23 | 80  | A    | 10 | 50   |
| 3.25.067.1 | 63  | 1<br>1/4"<br>(F) | 3 | 38 | 23 | 80  | B    | 16 | 50   |
| 3.25.069   | 63  | 1<br>1/2"<br>(F) | 5 | 38 | 25 | 80  | A    | 16 | 50   |
| 3.25.070   | 63  | 2" (F)           | 3 | 38 | 28 | 80  | A    | 10 | 50   |
| 3.25.071   | 63  | 2" (F)           | 3 | 38 | 28 | 80  | B    | 16 | 25   |
| 3.25.076   | 75  | 1<br>1/2"<br>(F) | 5 | 44 | 23 | 96  | A    | 10 | 40   |
| 3.25.077   | 63  | 2" (F)           | 3 | 38 | 27 | 96  | B    | 16 | 25   |
| 3.25.078   | 75  | 2" (F)           | 4 | 44 | 27 | 96  | A    | 10 | 45   |
| 3.25.079   | 75  | 2"(F)            | 4 | 44 | 27 | 96  | B    | 16 | 35   |
| 3.25.081   | 75  | 2<br>1/2"<br>(F) | 4 | 44 | 31 | 96  | B    | 10 | 25   |
| 3.25.091   | 90  | 3" (F)           | 4 | 51 | 36 | 114 | B    | 10 | 24   |
| 3.25.101   | 110 | 4" (F)           | 6 | 56 | 45 | 137 | B    | 10 | 15   |

**Van de Lande BV**

Lissenveld 1 \ 4941 VK Raamsdonksveer \ The Netherlands \ t +31 (0)162 51 60 00 \ f +31 (0)162 52 14 17 \ sales@vandelande.com  
 Traderegister Tilburg: 18070844 \ IBAN: NL13 RABO 0143 0035 26 \ BIC: RABONL2U \ VAT: NL 8123.91.755.B01

[www.vandelande.com](http://www.vandelande.com)

All our transactions are subject to the Van de Lande General Terms of Sale. A copy of these can be provided immediately upon your request.