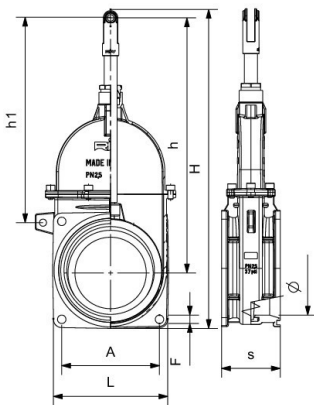




RIV 10

Two-flange piston gate valve
with O-ring gaskets

Tech drawings and tables



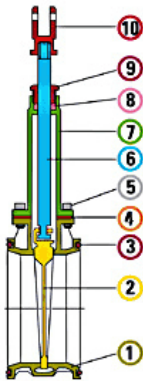
DN	Code	Ø	H	h	S	L	F	A	h1	PN	KG	P/box
4"	050010000016	91	385	290	97	180	13	150	235	3bar - 45psi	5,974	1
5"	050010000018	120	450	350	90	180	13	150	295	3bar - 45psi	7,664	1
6"	050010000019	143	490	390	90	180	13	150	320	2,5bar - 37psi	8,199	1
8"	050010000020	191	610	485	111	230	13	180	385	1,5bar - 21psi	17,510	1

Advantages

Better tightness compared to other gate valves of the same type.
Anticorrosion stainless steel screws.
In accordance with 97/23/CE (PED) Directive.

Technical data

Art. 10



Materials			
1	Body	Brass	CB754S
2	Wedge	Brass	CB754S
3	O-Ring	NBR	
4	Gasket	Fibre	
5	Screw	Stainless Steel	AISI 304
6	Stem	Brass	CW614N
7	Cap	Brass	CB754S
8	Tow packing	Fibre	
9	Stuffing-Box	Brass	CW614N
10	Fork	Brass	CW617N

Connections ISO 228/1, NPT, Square flange

Limit -20°C (without liquid) +90°C

Notes The max. working pressure (PN) means at a room temperature of about 23°C.