

# Multirain Jet Control

## Multirain Jet Control 4



### Technical data

#### Pump:

Material: completely corrosion solid materials  
 Impeller type: multiple closed impellers  
 Connection: 1" inside thread  
 Max. liquid temperature: 40 °C  
 Weight: ± 13 kg

#### Motor:

Tension: 230 v, 50 Hz  
 Power: 0,75 kW  
 Maximum current: 5,2 A  
 RPM: 2850 rpm  
 Protection class: IP55  
 Insulation class: F

Built-in automatic thermal protection (monophase only)



### Applications:



Rain water reuse

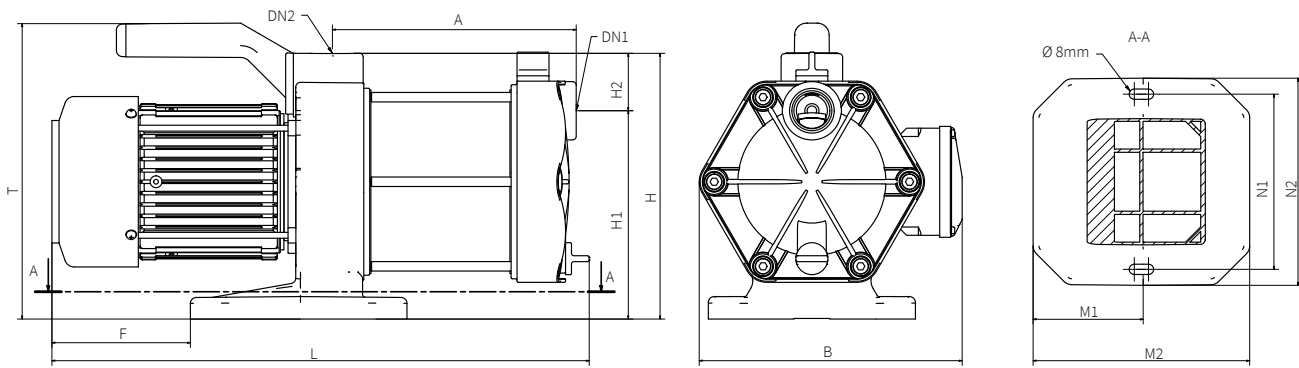


Clean water



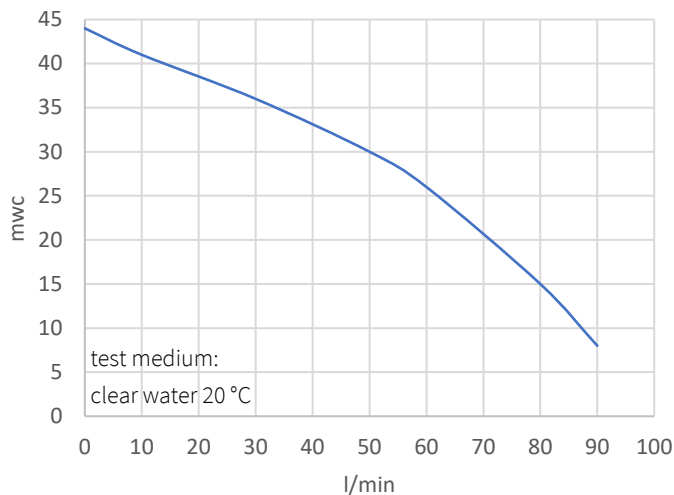
Industrial

### Dimensions



Character	B	L	T	F	M1	M2	N1	N2	DN1	DN2	H1	H2	H	A
mm	223	454	250	117	93	183	148	175	G 1"	G 1"	176	49	225	206

### Curves



l/min	20	40	60	80	90
m <sup>3</sup> /h	1,2	2,4	3,6	4,8	5,4
<b>Pump type</b>	<b>head in mwc</b>				
Multirain Jet 4	38	33	26	15	8