

3" (Ø119 mm) Technical information

Tank unit / Adapter and Hose unit / Coupler



According to NATO STANAG 3756

Material	Maximum working pressure	Test pressure	Minimum Burs Pressure
Aluminium	10 bar / 145 psi	15 bar / 218 psi	50 bar / 726 psi
Brass/Gun Metal	16 bar / 232 psi	24 bar / 348 psi	80 bar / 1160 psi
Stainless Steel	25 bar / 363 psi	37,5 bar / 544 psi	125 bar / 1813 psi
Titan	25 bar / 363 psi	37,5 bar / 544 psi	125 bar / 1813 psi
Hastelloy	25 bar / 363 psi	37,5 bar / 544 psi	125 bar / 1813 psi
Peek	6 bar / 87 psi	9 bar / 131 psi	30 bar / 435 psi

Connections

3" in BSP, NPT and Flanged inlet

Applications

The 3" (119 mm) DDCoupling is recommended for similar applications to the 3" (105 mm) range, but where higher loading rates are required. Especially in rail tankers, marine tankers and related activities or on any application where product contamination and spillage needs to be minimized.

Media

Petroleum products: Gasoline, diesel, oil etc.

Chemical products: Ethylene Oxide, Propylene Oxide, Acrylonitrile, Butadiene, Ammonia, Vinyl Chloride, Toluene, Xylene, Sulphuric Acid, Phenol etc.

Gas:

Dry powder: Chocolate powder e.t.c.

Material

Aluminium, Brass/Gunmetal, Stainless Steel, Hastelloy and PEEK. Other materials on request.

Seals

Standard seals in FPM (Viton®), EPDM, Chemraz®, Kalrez®, NBR (Nitrile). Other materials on request.

High Flow Rates / Low Pressure Drop

Allows maximum product transfer with minimal losses

Recommended Maximum Flow Rates

2000 litres/minute (fuel)

Selectivity

- Avoid mixing products:

To avoid product contamination caused by connecting a hose unit to the wrong tank unit, selective versions of the hose and tank units are available. Each unit has a number of selective positions, designated by a coded part number according to the coupling size - specify when placing order.

Interchangeability:

Compatibility with other existing brands, e.g. TODO-matic and Fulcrum couplings.

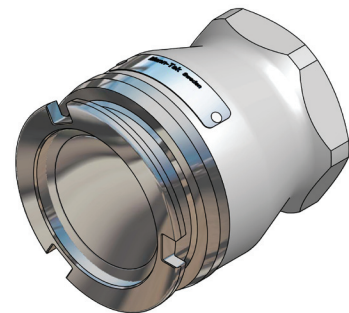
Hose unit with Integrated Swivel

All hose units are designed with integrated Swivel

3" (Ø119 mm) Tank unit / Adapter - Female thread

Connection ^{1A)} Inch/DN	Material ²⁾	Seal ³⁾		Weight		Code No	
		O-ring	Flat seal	kg	lbs		
F 3" BSP	AI	Standard: FPM/FKM (Viton®)	PUR (Vulkollan®)	1,2		T414D1101B	
F 3" BSP				1,3		T414K1101B *)	
F 3" NPT				1,2		T415D1101	
F 3" BSP	GM		PUR (Vulkollan®)	3,2		T414D2201B	
F 3" NPT				3,5		T415D2201	
F 3" BSP	Br			Other on request	PUR	-	
F 3" NPT			PTFE (Teflon®)			3,1	
F 3" BSP	SS				PTFE (Teflon®)	3,4	
F 3" NPT			Hastelloy	PTFE (Teflon®)			
F 3" BSP	PVDF/Hastelloy				PTFE (Teflon®)		
F 3" NPT		PEEK	PTFE (Teflon®)	3,6			T414A8701A
F 3" BSP	PTFE (Teflon®)					T414A9901A	
F 3" NPT		PTFE (Teflon®)			T415A9901		

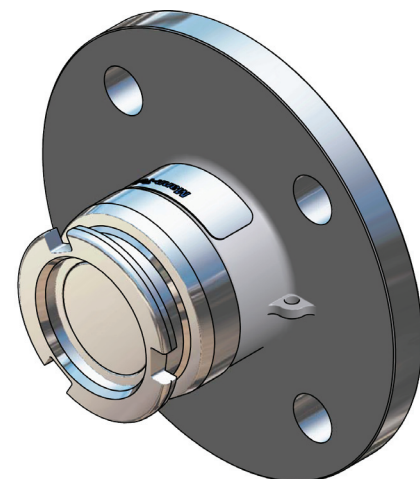
According to
NATO STANAG 3756



3" (Ø119 mm) Tank unit / Adapter, Flanged inlet

Flange ^{1B)}	Material ²⁾	Seal ³⁾		Weight		Code No			
		O-ring		kg	lbs				
undrilled Ø210 mm	AI	Standard: FPM/FKM (Viton®)		2,0		T420D1101			
DN 65PN 10 / 16 Type A						T433D1101			
DN 80 PN 10 / 16 Type A				2,0		T436D1101			
3" ANSI 150 psi				1,8		T461D1101			
TW1 (DN 80)				1,4		T465D1101			
TW3 (DN 100)				1,6		T466D1101			
3" TTMA				1,8		T467D1101			
4" TTMA				1,5		T468D1101			
undrilled Ø210 mm				GM	Other on request		6,2		T320D2201
DN 65 PN 10 / 16 Type B							4,9		T433D2201
DN 65PN 25 / 40 Type B			T434D2201						
DN 80 PN 10 / 16 Type B	5,2		T436D2201						
DN 80 PN 25 / 40 Type B			T437D2201						
3" ANSI 150 psi	4,9		T461D2201						
3" ANSI 300 psi			T462D2201						
TW1 (DN 80)	4,1		T465D2201						
TW3 (DN 100)	4,7		T466D2201						
3" TTMA	-		T467D2201						
4" TTMA	4,6		T468D2201						
undrilled Ø210 mm	SS	Other on request				T420B4401			
undrilled Ø210 mm **)						T420B4401F			
DN 65PN 10 / 16 Type B						T433B4401			
DN 65 PN 10 / 16 Type B **)						T433B4401F			
DN 65 PN 25 / 40 Type B						T434B4401			
DN 65 PN 25 / 40 Type B **)						T434B4401F			
DN 80 PN 25 / 40 Type E *)						T435B4401F			
DN 80 PN 10 / 16 Type B				5,1		T436B4401			
DN 80 PN 10 / 16 Type B **)						T436B4401F			
DN 80 PN 25 / 40 Type B				5,1		T437B4401			
DN 80 PN 25 / 40 Type B **)			T437B4401F						
3" ANSI 150 psi	4,9		T461B4401						
3" ANSI 150 psi **)			T461B4401F						
3" ANSI 300 psi	4,9		T462B4401						
3" ANSI 300 psi **)			T462B4401F						
TW1 (DN 80)	3,9		T465B4401						
TW3 (DN 100)			T466B4401						
3" TTMA			T467B4401						
4" TTMA			T468B4401						
undrilled Ø210 mm	PEEK					T420A9901			
DN 80 PN 10 / 16 Type B						T436A9901			
3" ANSI 150 psi						T461A9901			
3" TTMA						T467A9901			
4" TTMA			T468A9901						

According to
NATO STANAG 3756



*) Type E, EN 1092-1:2001 Spigot

**) Flange with standard thickness

1A) Female thread BSP=ISO 228,
NPT=ANSI B1.20.1

1B) Flanges according to EN 1092,
ANSI B16.5 and DIN 28459.

2) **Mtrl:** AI=Aluminium, GM=Gun
Metal, SS=Stainless Steel,
Ti=Titan, Ha=Hastelloy, PE=PEEK

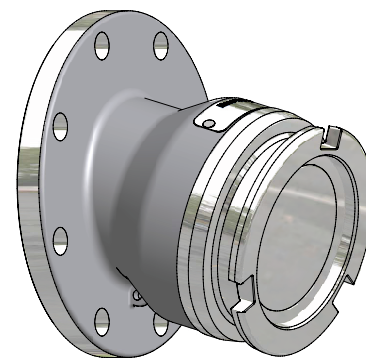
3) Standard seal. Other on request.

Viton® (FPM) and Teflon® (FPM/KPM) are registered trademarks of DuPont, DuPont Elastomers. Vulkollan® is registered trademark of Bayer AG

3" (119mm) Dropped Tank unit / Adapter with flange connection

According to NATO STANAG 3756

Flange ¹⁾	Material ²⁾	Seal ³⁾	Weight		Code No	
		O-ring	kg	lbs		
TW1 (DN 80)	Al	Standard: FPM/FKM (Viton®)		1,6	T46511101	
TW3 (DN 100)				1,6	T46611101	
3" TTMA						T46711101
4" TTMA						T46811101



15° dropped Tank unit with flange connection makes it easier to connect and reduces hose wear

1) Flanges according to EN 1092 , ANSI B16.5 and DIN 28459

2) **Mtrl:** Al=Aluminium

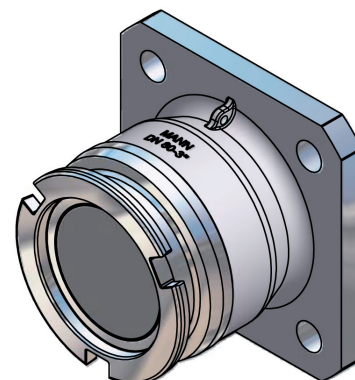
3) Standard seal. Other on request.

Viton® (FPM) and Teflon® (FPM/KPM) are registered trademarks of DuPont, DuPont Elastomers. Vulkollan® is registered trademark of Bayer AG

3" (119mm) Tank unit / Adapter with square flange connection

According to NATO STANAG 3756

Flange ¹⁾	Body Material ²⁾	Seal ³⁾	Weight		Code No
		O-ring	kg	lbs	
Normec (120x120 mm)	Al	Standard: FPM/FKM (Viton®)			T4107D1101
Normec (120x120 mm)	GM				T4107D2201



1) Flanges according to EN 1092 , ANSI B16.5 and DIN 28459

2) **Mtrl:** Al=Aluminium, GM=Gun Metal

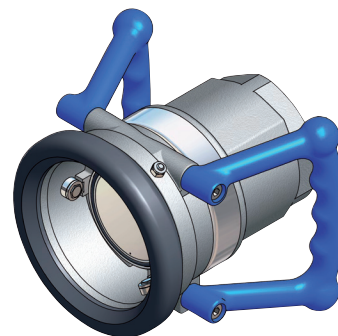
3) Standard seal. Other on request.

Viton® (FPM) and Teflon® (FPM/KPM) are registered trademarks of DuPont, DuPont Elastomers. Vulkollan® is registered trademark of Bayer AG

3" (Ø119 mm) Hose unit / Coupler - Female thread

Connection ¹⁾ Inch/DN	Material ²⁾	Seal ³⁾		Weight		Code No	
		O-ring	Flat seal	kg	lbs		
F 3 BSP	AI	Standard: FPM/FKM (Viton®)	PUR (Vulkollan®)	3,8		S414B1101B	
F 3" NPT				3,9		S415B1101	
F 3" BSP	GM		PUR (Vulkollan®)	8,4		S414B2201B	
F 3" NPT				9,0		S415B2201	
F 3" BSP	SS		PTFE (Teflon®)	8,4		S414B4401A	
F 3" NPT				8,7		S415B4401	
F 3" BSP	Hastelloy		Other on request	PTFE			S414A7701B
F 3" NPT							
F 3" BSP	PVDF/Hastelloy						S414A8701B
F 3" BSP	PEEK		Other on request	PTFE			S414A9901B
F 3" NPT							S415A9901

According to
NATO STANAG 3756



1) Female thread BSP=ISO 228, NPT=ANSI B1.20.1

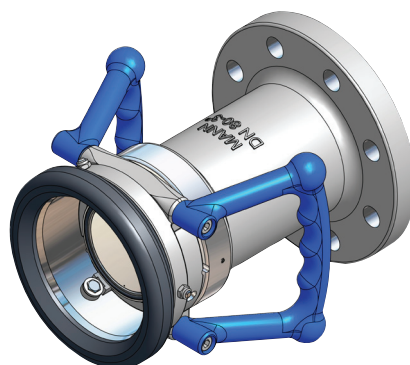
2) **Mtrl:** AI=Aluminium, GM=Gun Metal, SS=Stainless Steel, Ti=Titan, Ha=Hastelloy, PE=PEEK

3) Standard seal. Other on request.

3" (Ø119 mm) Hose unit / Coupler, Flanged inlet

Flange ¹⁾	Body Material ²⁾	Seal ³⁾		Weight		Code No
		O-ring		kg	lbs	
undrilled Ø210 mm	AI	Standard: FPM/FKM (Viton®)				S420B1101
DN 80 PN 10 / 16 Type A						S436B1101
3" ANSI 150 psi			5,5		S461B1101	
TW1 (DN 80)					S465B1101	
TW3 (DN 100)					S466B1101	
3" TTMA					S467B1101	
4" TTMA			5,5		S468B1101	
undrilled Ø210 mm			GM			
DN 80 PN 10 / 16 Type B					S436B2201	
DN 80 PN 25 / 40 Type B					S437B2201	
3" ANSI 150 psi					S461B2201	
3" ANSI 300 psi					S462B2201	
TW1 (DN 80)					S465B2201	
TW3 (DN 100)					S466B2201	
3" TTMA					S467B2201	
4" TTMA				S468B2201		
undrilled Ø210 mm	SS	Other on request				S420B4401
undrilled Ø210 mm **)					S420B4401F	
DN 80 PN 10 / 16 Type B					S436B4401	
DN 80 PN 10 / 16 Type B **)					S436B4401F	
DN 80 PN 25 / 40 Type B					S437B4401	
DN 80 PN 25 / 40 Type B **)					S437B4401F	
DN 80 PN 25 / 40 Type E					S435B4401F	
3" ANSI 150 psi			13,2		S461B4401	
3" ANSI 150 psi **)					S461B4401F	
3" ANSI 300 psi					S462B4401	
3" ANSI 300 psi **)			14,6		S462B4401F	
TW1 (DN 80)					S465B4401	
TW3 (DN 100)					S466B4401	
3" TTMA					S467B4401	
4" TTMA					S468B4401	
undrilled Ø210 mm			PEEK			
DN 80 PN 10 / 16 Type B				S436B9901		
3" ANSI 150 psi				S461B9901		

According to
NATO STANAG 3756



*) Type E, EN 1092-1:2001 Spigot
**) Flange with standard thickness

1) Flanges according to EN 1092, ANSI B16.5 and DIN 28459.

2) **Mtrl:** AI=Aluminium, GM=Gun Metal, SS=Stainless Steel, PE=PEEK

3) Standard seal. Other on request.

Viton® (FPM) and Teflon® (FPM/KPM) are registered trademarks of DuPont, DuPont Elastomers. Vulkollan® is registered trademark of Bayer AG